

Gard 4



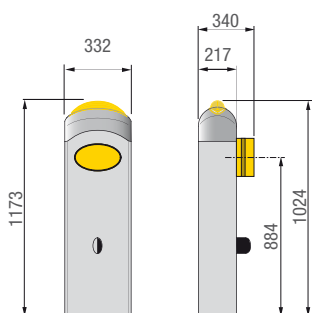
Passage clearance of up to 3.75 m / 12.30 ft

The ideal solution for intensive or vehicle transit

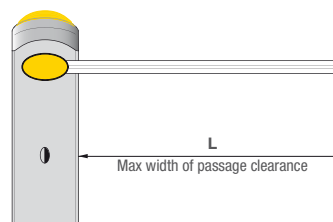


- A modern style barrier, with perfect aesthetics. Suited to any applicative setting.
- The LED dome-shaped flashing light, that provides long-lasting safety and durability, and the photocells that can be integrated into the cabinet.
- The protective casing shields the boom movement from shearing when opening and closing.
- Powered by 24 V DC, it is the ideal choice for intensive duty.

Dimensions (mm)



Application



Limits to use

MODEL	G4040Z - G4040IZ
Max width of passage clearance (m/ft)	3.75/12.30

● 24 V DC

Technical features

Type	G4040Z - G4040IZ
Protection rating IP	IP54
Power supply (V - 50/60 Hz)	230 AC
Motor power supply (V - 50/60 Hz)	24 DC
Current draw (A)	15 MAX
Power (W)	300
90° opening time° (s)	2 ÷ 6
Duty cycle (%)	INTENSIVE USE
Torque (Nm)	200
Operating temperature (°C/°F)	-20 ÷ +55/-4 ÷ +131
Motor thermo protection (°C/°F)	-

● 24 V DC

The complete range



Code	Description
24 V DC barriers with operator and built-in control panel	
001 G4040Z	Galvanised and painted steel barrier fitted to take additional accessories.
001 G4040IZ	AISI 304 stainless steel barrier with satin finish fitted to take additional accessories.
Accessories for: 001G4040Z - 001G4041Z	
002 LB38	Card for connecting n. 3 12 V - 7 Ah emergency batteries.



The jointed ARM

The special accessory for semi-elliptic tubular booms means you can install the Came barrier even when ceiling heights are too low for straight-boom barriers, such as in underground parking facilities.



In stainless STEEL

The Gard 4 barrier is also available in AISI 304 steel suitable for installation in harsh environments.



Easy MAINTENANCE

The control panel is located horizontally, atop the cabinet. So, it's easy to get to, making scheduled maintenance simple and quick.

Boom assembly and balancing springs

MODEL	001G02040 Ø 40 mm / 1.57 in springs - 001G04060 Ø 50 mm / 1.96 in springs - 001G06080 Ø 55 mm / 2.16 in springs									
	PASSAGE WIDTH (m/ft)									
BOOM COMPOSITION	1,5/4.92	1,75/5.74	2/6.56	2,25/7.38	2,5/8.20	2,75/9.02	3/9.84	3,25/10.66	3,5/11.48	3,75/12.30
Boom and shock-resistant profile	●	●	●	●	●	●	●	●	●	●
Boom with shock-resistant profile and luminous cord 001G28401	●	●	●	●	●	●	●	●	●	●
Boom with rack 001G0465	●	●	●	●	●	●	●	●	●	●
Boom with luminous cord 001G28401 and rack 001G0465	●	●	●	●	●	●	●	●	●	●
Boom with shock-resistant profile and mobile support 001G02808	●	●	●	●	●	●	●	●	●	●
Boom with shock-resistant profile, luminous cord 001G28401 and mobile support 001G02808	●	●	●	●	●	●	●	●	●	●

The complete range



Code	Description
Accessories for balancing (see BOOM ASSEMBLY AND BALANCING SPRINGS table)	
001G02040	Balancing spring Ø 40 mm / 1.57 in.
001G04060	Balancing spring Ø 50 mm / 1.96 in.
001G06080	Balancing spring Ø 55 mm / 2.16 in.
Accessories	
001G02801	Dome-shaped flashing light.
001G02802	Support for series Dir photocells.
001G03751	Emergency battery rack.
001G03750	White painted semi-elliptic tubular aluminium boom with slot cover and impact-resistant profiles. L = 4 m / 13.12 ft.
001G03752	White painted elliptic tubular aluminium boom with slot cover profile L = 4 m / 13.12 ft.
001G028401	Luminous cord for booms.
001G028402	Luminous cord cable.
001G0465	Painted aluminium rack for boom (2 m / 6.56 ft modules).
001G02807	Fixed support for booms.
001G02808	Mobile support for booms.
001G02809	Package of n. 20 red adhesive refracting strips.
Accessories for: 001G03750	
001G03756	Inner reinforcement support for semi-elliptic tubular aluminium boom.
001G03755DX	Joint for semi-elliptic tubular aluminium boom. For right-hand barrier.
001G03755SX	Joint for semi-elliptic tubular aluminium boom. For right-left barrier.
Accessories for: 001G03752	
001G03753	Securing flange for elliptic tubular boom.



WARNING: RESPECT THE LIMITS OF USE DETAILED IN THE CATALOGUE

001G02802 Not usable with barriers featuring booms fitted with the 001G0465 aluminium rack or 001G02808 mobile support.

001G02808 MUST be used on barrier booms with passage clearance widths of up to 3 m maximum.

001G03756 MUST be used on barrier booms with passage clearance widths greater than 3 m, fitted with the 001G028401 luminous cord.

MUST be used on barrier booms with passage clearance widths greater than 2.5 m, fitted with the 001G02808 mobile support or with the 001G0465 aluminium rack.

001G02807 MUST be used on barrier booms with passage clearance widths greater than 3 m.

001G0465 - 001G02808 They cannot be used together.