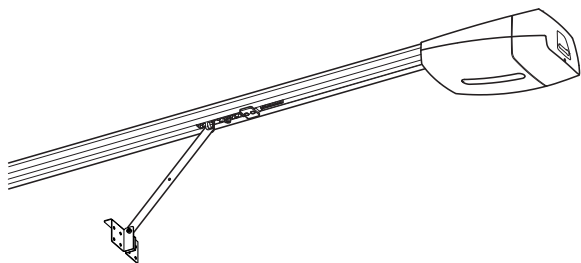


**Garage door operator  
Series VER**

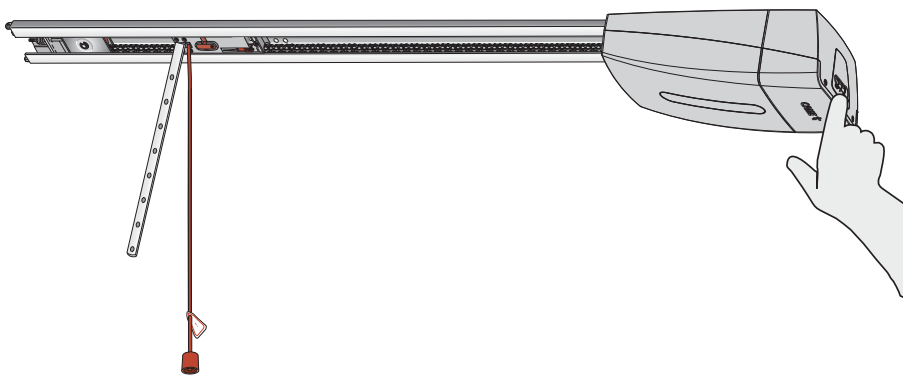
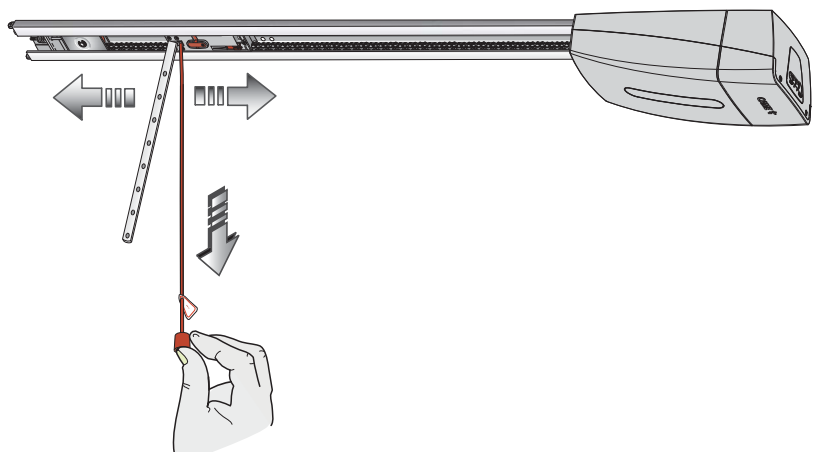
FA01176-EN



**VER06DES-VER08DES**

**INSTALLATION MANUAL**

EN English



## GENERAL PRECAUTIONS FOR INSTALLERS

### **CAUTION! Important safety instructions.**


**Follow all of these instructions. Improper installation can cause serious bodily harm.  
Before continuing, also read the general precautions for users.**

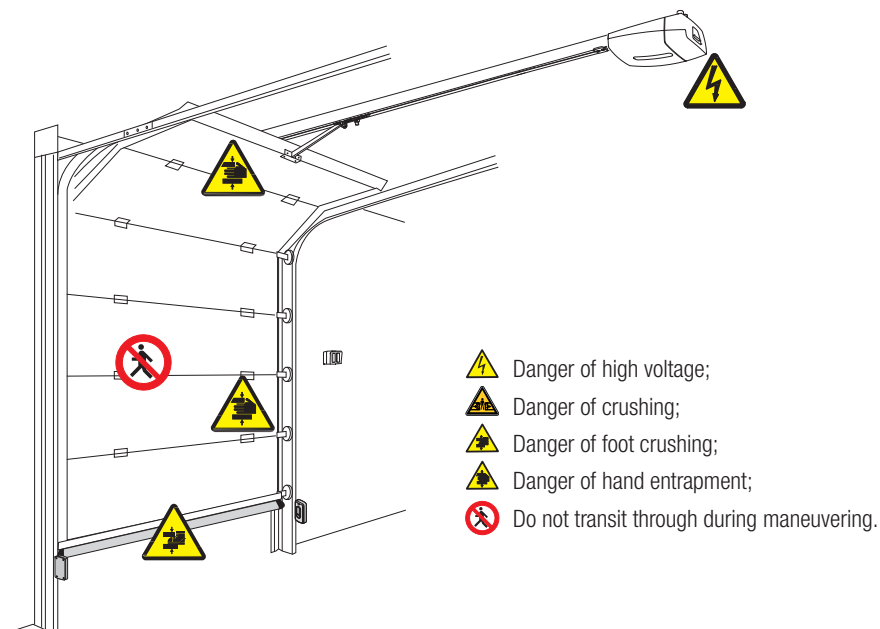
This product must only be used for its specifically intended purpose. Any other use is dangerous. CAME S.p.a. is not liable for any damage caused by improper, wrongful and unreasonable use • This manual's product is defined by the Machinery Directive 2006/42/EC as partly-completed machinery." Partly-completed machinery is an assembly that almost constitutes a machine, but which, alone, cannot ensure a clearly defined application. Partly-completed machinery is only destined to be incorporated or assembled to other machinery or other partly-completed machinery or apparatuses to build machinery that is regulated by Directive 2006/42/CE. The final installation must be compliant with European directive 2006/42/CE and current European reference standards • Given these considerations, all procedures stated in this manual must be exclusively performed by expert, qualified staff • Laying of cables, installation and testing must follow state-of-the-art procedures as dictated by applicable standards and laws • Before installing the operator, check that the door is in proper mechanical condition, that it is properly balanced and that it properly closes: if any of these conditions are not met, do not continue before having met all safety requirements • Make sure that the operator is installed onto a sturdy surface that is protected from any collisions • If the operator is installed lower than 2.5 from the ground or from any other access level, fit protections and signs to prevent hazardous situations • Do not fit the operator upside down or onto elements that could yield under its weight. If necessary, add reinforcements to the fastening points • Do not install on doors on tilted surfaces • Suitably section off and demarcate the entire installation site to prevent unauthorized persons from entering the area, especially minors and children • Fit cautionary signs, such as the plate, wherever needed and in plain sight • Use proper protections to prevent mechanical hazards when people are loitering around the operator's range of action, for example, prevent crushing of fingers between the drive shaft and the mechanical stops, prevent crushing when the door is opening, and so on • The electrical cables must run through the cable glands and must not touch any heated parts, such as the motor, transformer, and so on) • All control and command devices must be installed at least 1.85 m from the perimeter of the door's working area, or where they cannot be reached from outside the door • Unless a key switch is provided, the control devices must be fitted at least 1.5 m above ground, where they cannot be reached by the general public • Before turning over to the final user, check that the system complies with the harmonized standards of Machinery Directive 2006/42/CE. Make sure that the operator has been properly adjusted and that the safety and protection devices, and the manual release, are working properly • Affix a permanent tag, that describes how to use the manual release mechanism, close to the mechanism • Make sure to hand over to the end user, all operating manuals for the products that make up the final machinery • Make sure you have set up a suitable dual pole cut off device along the power supply that is compliant with the installation rules. It should completely cut off the power supply according to category III surcharge conditions • The gearmotor must be exclusively powered by very low safety voltage, which corresponds to

what is stated in the markings on the gearmotor itself • Keep the section of this manual inside the technical folder along with the manuals of all the other devices used for your automation system. Remember to hand over to the end users all the operating manuals of the products that make up the final machinery.




The next figure shows the main hazard points for people.

### **Power supply cable replacement (Y connection)**

 If the power supply cable is damaged, it must be replaced by the manufacturer or authorized technical assistance service, or in any case, by similarly qualified persons, to prevent any risk



## KEY

-  This symbol shows which parts to read carefully.
-  This symbol shows which parts describe safety issues.
-  This symbol shows which parts to tell users about.

**The measurements, unless otherwise stated, are in millimeters.**

## DESCRIPTION

Operator featuring a control panel with encoder for sectional and overhead garage doors.

### Intended use

The VER06DES / VER08DES operators are designed to power overhead garage and sectional doors for homes and apartment blocks.

-  Do not install or use this device in any way, except as specified in this manual.

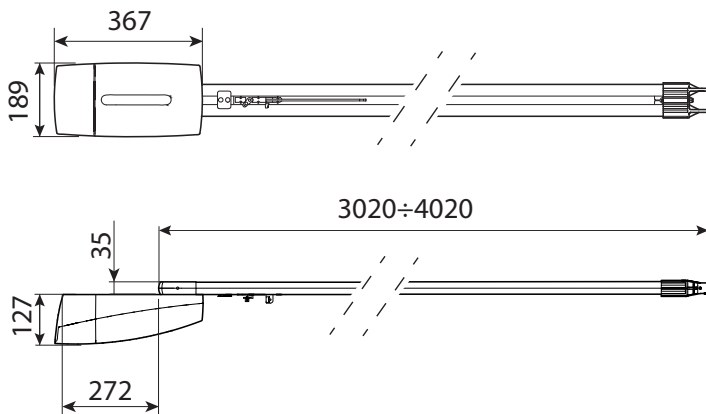
### Limits to use

Type	VER06DES	VER08DES
Door's max. surface area (m <sup>2</sup> )	9 series	12 series
Counter-weighted overhead door's max. weight (m)	2.40 series	
Maximum height of spring-balanced overhead doors (m)	3.25 series	
Maximum height of sectional doors (m)	3.20 series	

### Technical data

Type	VER06DES	VER08DES
Protection rating (IP)	20 series	
Power supply (V - 50/60 Hz)	230 AC	
Motor power supply (V)	24 DC	
Stand-by consumption (W)	4.5 series	6.5 series
Maximum power of the accessories (W)	20 series	
Maximum power (W)	90 series	150 series
Maneuvering speed (m/min)	6.5 series	8 series
Traction force (N)	600 series	800 series
Acoustic pressure LpA (dBA)		≤70
Cycles/hour	10 series	
Operating temperature (°C)	-20 to +55	
Apparatus class		II
Weight (kg)	4.9 series	5.1 series

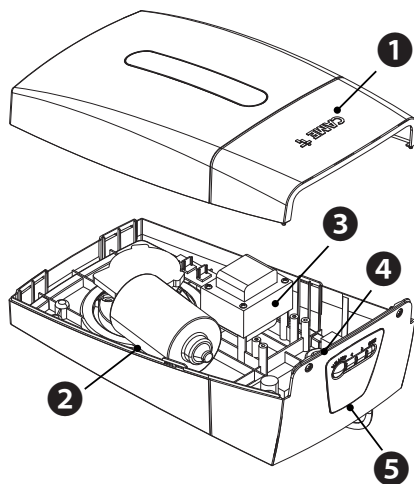
## Dimensions



## Description of parts

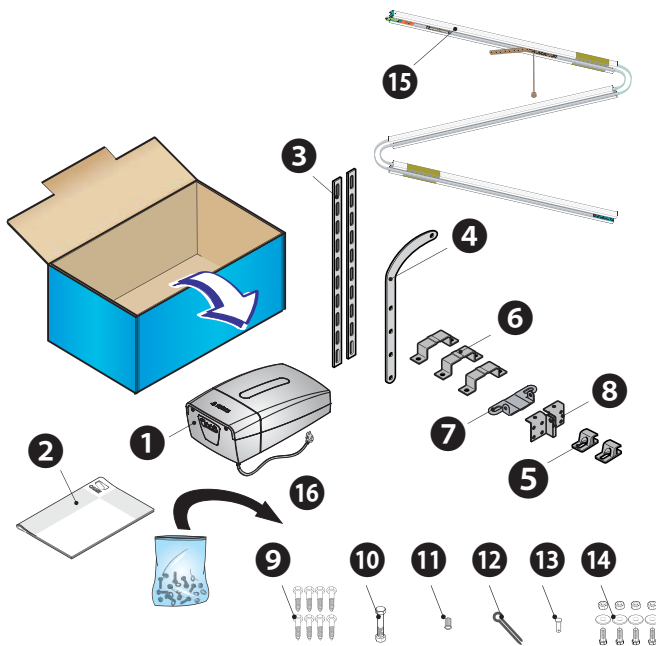
### Operator

- 1 Cover
- 2 Gearmotor
- 3 Transformer
- 4 Electronic board
- 5 Operator configuration buttons



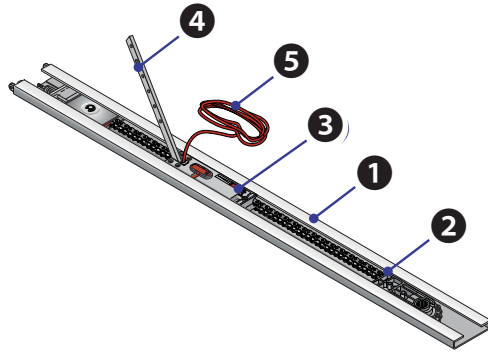
## Packing list

- 1 one Operator
- 2 one Installation Manual
- 3 two anchoring perforated-plates.
- 4 one Curved lever
- 5 two support braces
- 6 three U-shaped braces
- 7 one guide-fitting brace
- 8 one door fitting brace
- 9 eight self-drilling hexagonal head M6x15 screws
- 10 one hexagonal M6x80 nut and bolt
- 11 one (ø8x25) drive-shaft adapter
- 12 one 3x20 linchpin
- 13 one Pin
- 14 four M8x20 hexagonal screws with washers and nuts
- 15 one Slide guide (only in kit with 3 pieces of guide 1 meter long)
- 16 Power supply cable



## Pre-assembled guide package

- ① Guide
- ② Chain or belt
- ③ Skid
- ④ Transmission arm
- ⑤ Release cord



## Slide guides

001V06001	Chain guide L = 3.02 m. Counter-balanced overhead doors up to 2.4 m in height - Counter-balanced overhead doors up to 2.25 m in height. - Sectional* doors up to 2.20 m in height.
001V06002	Chain guide L = 3.52 m. - Counter-balanced overhead doors up to 2.75 m in height. - Sectional* doors up to 2.70 m in height.
001V06003	Chain guide L = 4.02 m. - Spring-balanced overhead doors up to 3.25 m in height. - Sectional* doors up to 3.20 m in height.
001V06005	Belt guide L = 3.02 m. Counter-balanced overhead doors up to 2.4 m in height - Counter-balanced overhead doors up to 2.25 m in height. - Sectional* doors up to 2.20 m in height.
001V06006	Belt guide L = 3.52 m. - Counter-balanced overhead doors up to 2.75 m in height. - Sectional* doors up to 2.70 m in height.
001V06007	Belt guide L = 4.02 m. - Counter-balanced overhead doors up to 3.25 m in height. - Sectional* doors up to 3.20 m in height.

## Optional accessories

001V201	Transmission arm for counter-balanced overhead doors.
001V121	Pull-cord release device to apply onto handle.

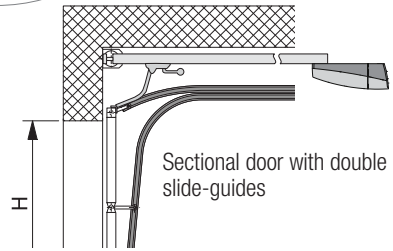
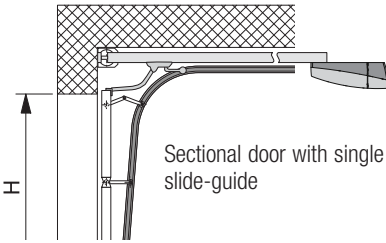
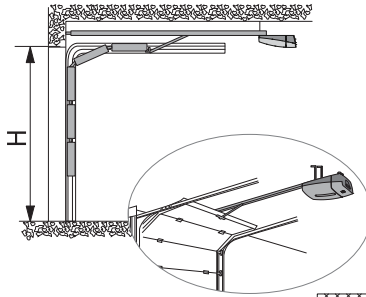
☞ For sectional doors, see the APPLICATION EXAMPLES paragraph



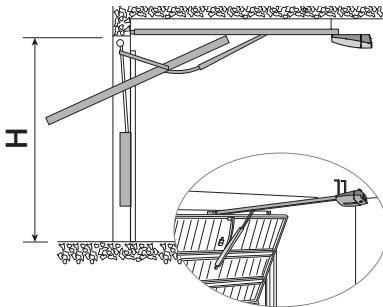
## Application examples

### Types and limits to use

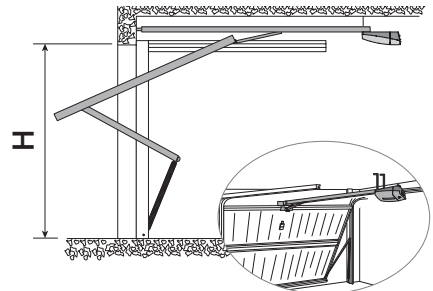
#### SECTIONAL DOOR



#### COUNTER-BALANCED OVERHEAD DOORS, PARTIALLY RETRACTING AND PROTRUDING

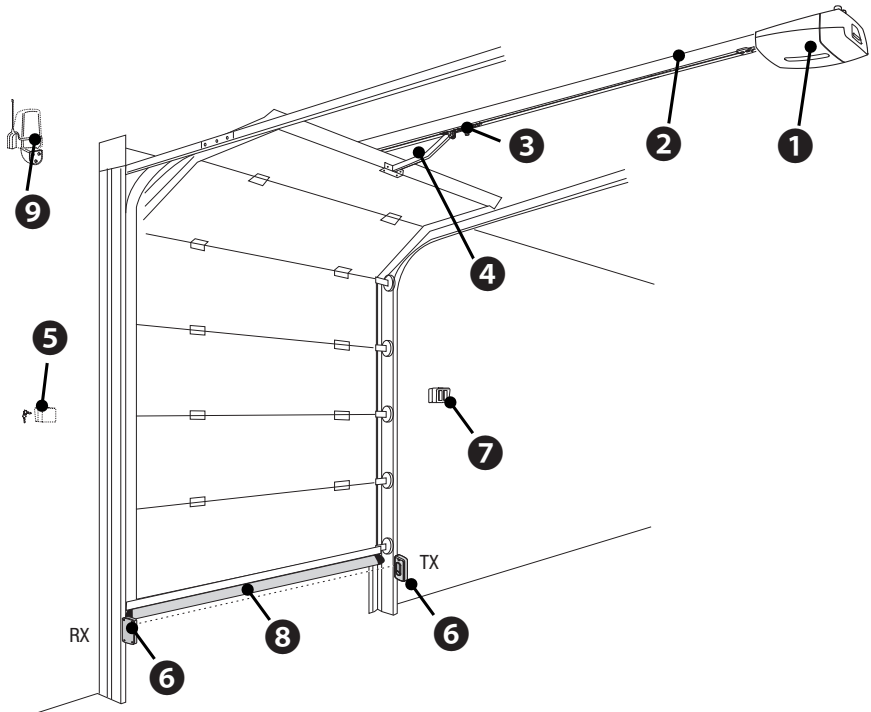


#### SPRING-BALANCED OVERHEAD DOOR, FULLY RETRACTING AND PROTRUDING



## Standard installation

- 1 Operator
- 2 Guide
- 3 Release device
- 4 Transmission arm
- 5 Key-switch selector
- 6 Photocells
- 7 Control device
- 8 Sensitive safety-edge
- 9 Flashing light and antenna



## GENERAL INSTALLATION INDICATIONS

⚠ The installation must be done by qualified expert technicians and in full compliance with applicable laws and regulations.

### Cable type and minimum thicknesses

Connection	cable length	
	< 20 m	20 < 30 m
Control panel power supply 230 V AC	3G x 1.5 mm <sup>2</sup>	3G x 2.5 mm <sup>2</sup>
Flashing light	2 x 0.5 mm <sup>2</sup>	
Command and control devices	2 x 0.5 mm <sup>2</sup>	
TX Photocells	2 x 0.5 mm <sup>2</sup>	
RX photocells	4 x 0.5 mm <sup>2</sup>	

📖 When operating at 230 V and outdoors, use H05RN-F-type cables that are 60245 IEC57 (IEC) compliant; whereas indoors, use H05VV-F type cables that are 60227 IEC53 (IEC) compliant. For power supplies up to 48 V, you can use FROR 20-22 II-type cables that comply with EN 50267-2-1 (CEI).

📖 To connect the antenna, use the RG58 (we suggest up to 5 m).

📖 For combined connection and CRP, use a UTP CAT5-type cable (up to 1,000 m long).

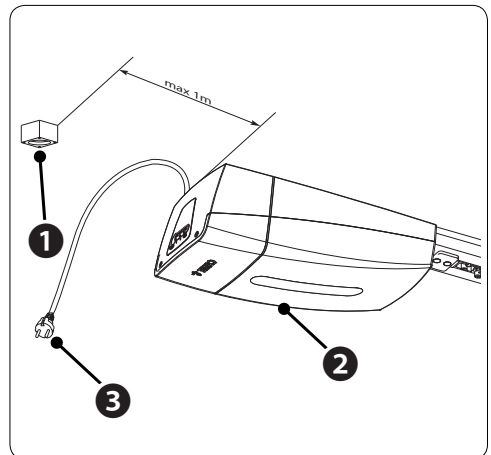
📖 If cable lengths differ from those specified in the table, establish the cable sections depending on the actual power draw of the connected devices and according to the provisions of regulation CEI EN 60204-1.

📖 For multiple, sequential loads along the same line, the dimensions on the table need to be recalculated according to the actual power draw and distances. For connecting products that are not contemplated in this manual, see the literature accompanying said products

### Installation of the wall socket

⚠ The wall socket must be installed exclusively by a skilled electrician. Protect the wall socket with a fuse (16A delayed). Comply with current regulations (e.g. safety of electrical systems).

1. Install the wall socket ❶ on the ceiling at a maximum distance of 1 m from the control unit box ❷.
2. Install and connect the wall socket power supply cable ❸ to the power grid.

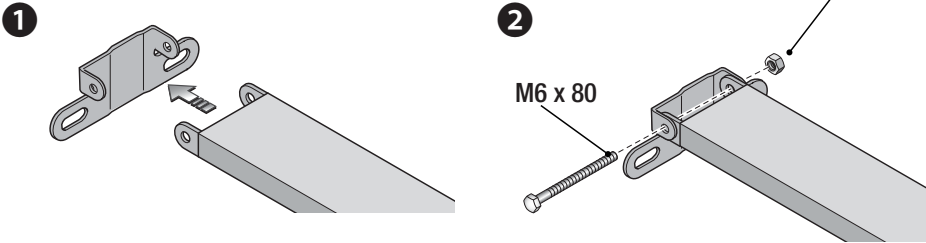


## INSTALLING

△ The installation must be done by qualified expert technicians and in full compliance with applicable laws and regulations.

△ The following illustrations are mere examples in that the space for fastening the operator and accessories varies depending on the installation area. It is up to the fitter, therefore, to choose the most suitable solution.

### Assembling the guide

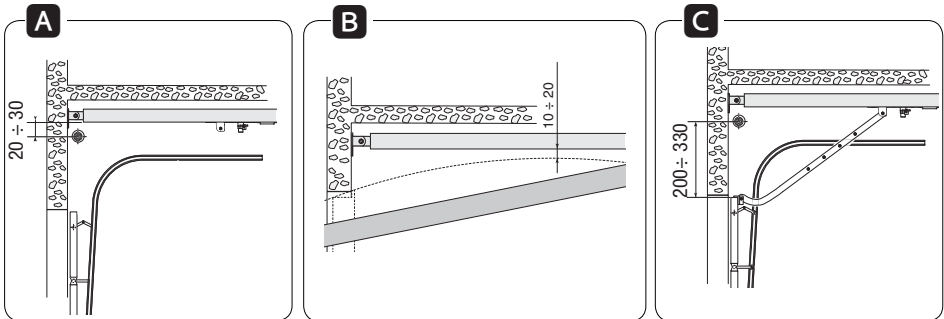


### Positioning the traction guide

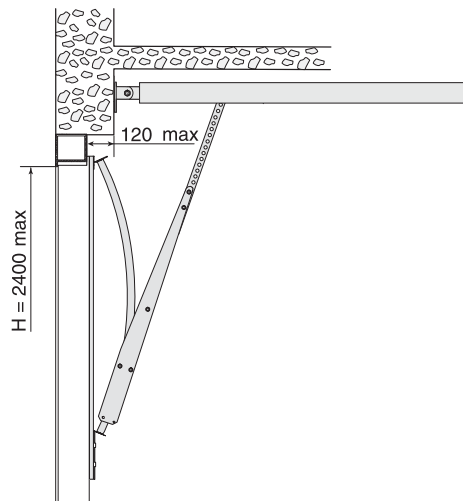
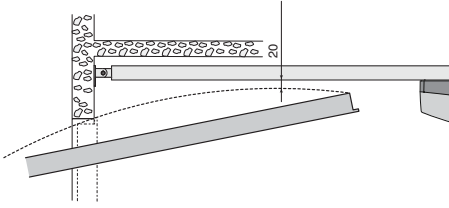
**A** for sectional doors exceeding the overall dimensions of the spring-pole brace.

**B** for overhead doors between 10 and 20 mm from the apex point of the leaf's slide arc.

**C** for partially retracting protruding counter-balanced overhead doors, use the V201 arm (see attached technical documentation).



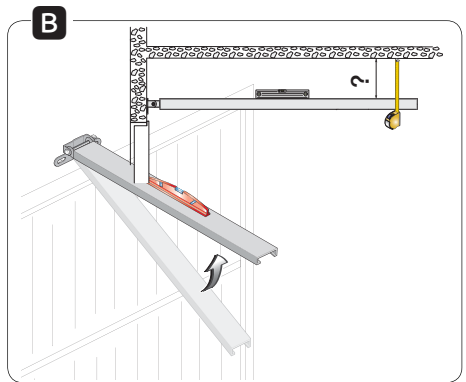
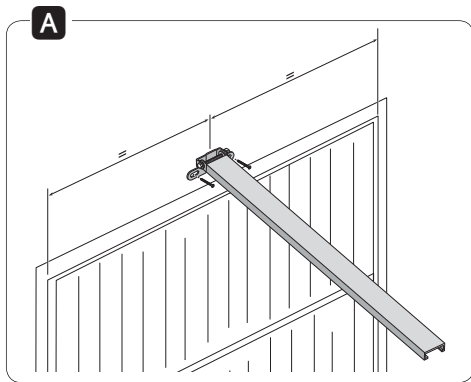
For protracting overhead doors, keep the guide 20 mm from the opening high-point.



☞ For protracting, partially retracting overhead doors, use the V201 transmission arm (optional accessory).

### Fastening the traction guide

Fasten the traction guide to the center of the doorway, using suitable screws.  
Raise the guide and position in horizontally to measure the distance to the ceiling, then fasten it.  
Install the support braces **1** and the U brace **2** on the guide.

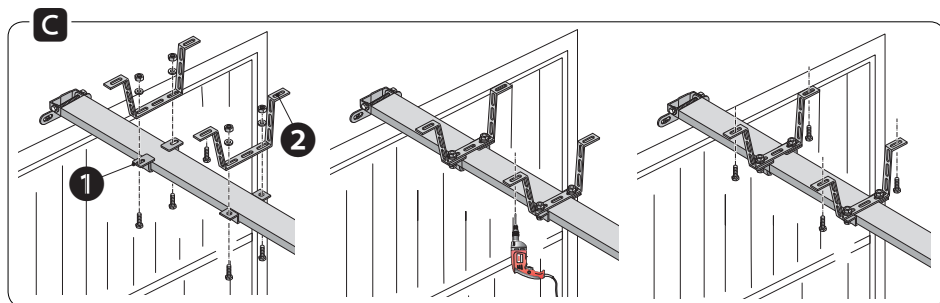


Bend the perforated flat tabs so they fit snugly and so as to compensate for the distance between the guide and ceiling.

Fasten the flat tabs to the support braces and to the U-shaped brace using the supplied screws and washers.

Drill the ceiling so the holes match those on the flat tabs.

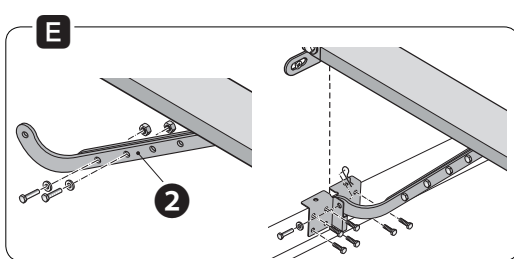
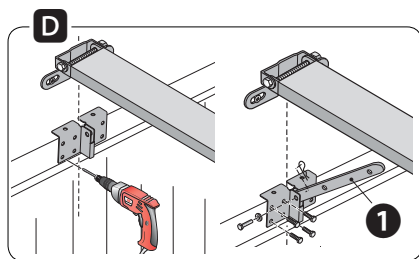
Fasten the flat tabs to the ceiling using suitable dowels and screws.



### Fitting the transmission arm to the door

Fit the transmission arm brace to the upper beam of the door, perpendicularly to the traction guide **1** and fasten it using the supplied screws or other suitable screws.

If mounting the curved lever **2** fit it to the transmission arm by using the supplied nuts and bolts

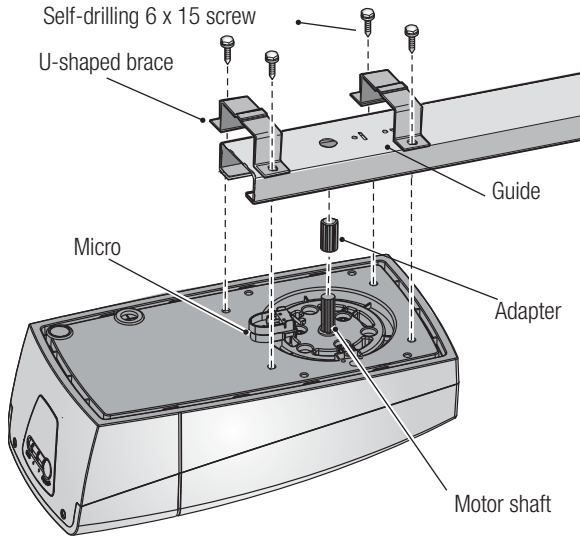


## Fitting the operator to the guide

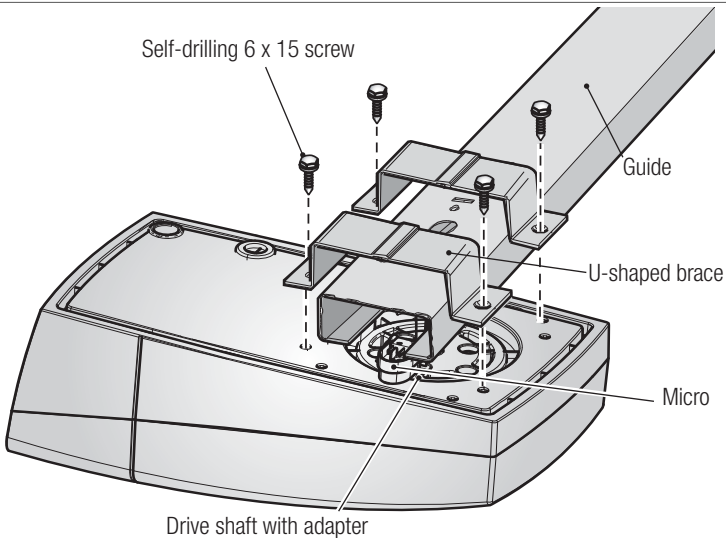
Fit the adapter to the drive shaft.

The operator can be fitted onto the guide: either in standard position or at a right angle .

**F**



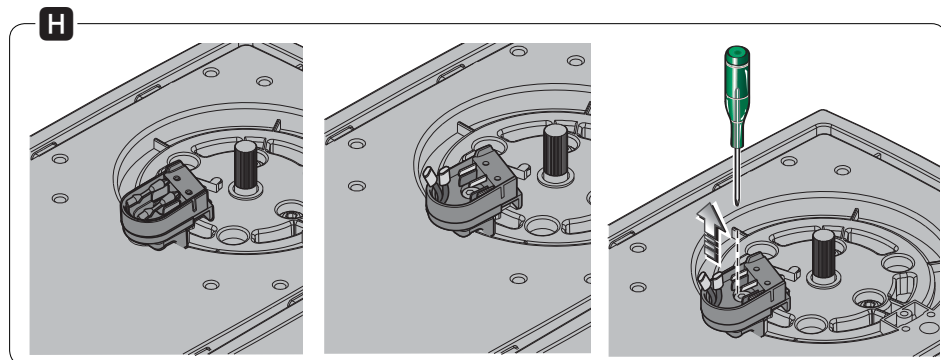
**G**



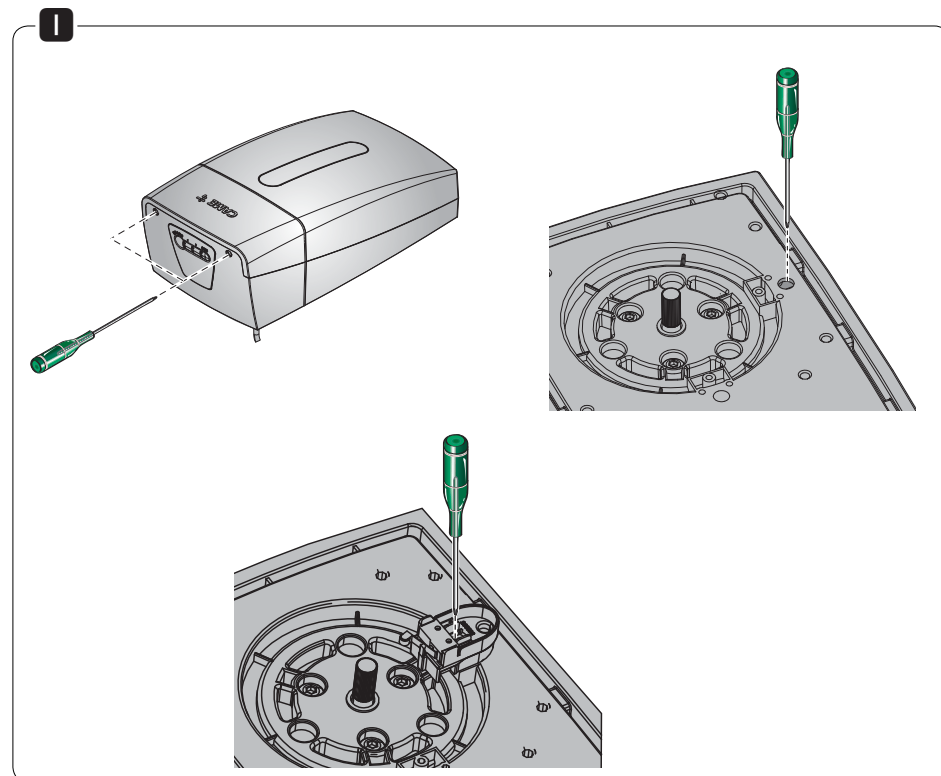
△ If the operator is to be fitted at a right angle, before installing it, set the micro-switch (see the corresponding paragraph).

## Moving the micro switch

Disconnect the cables of the micro switch **H** and remove the latter.

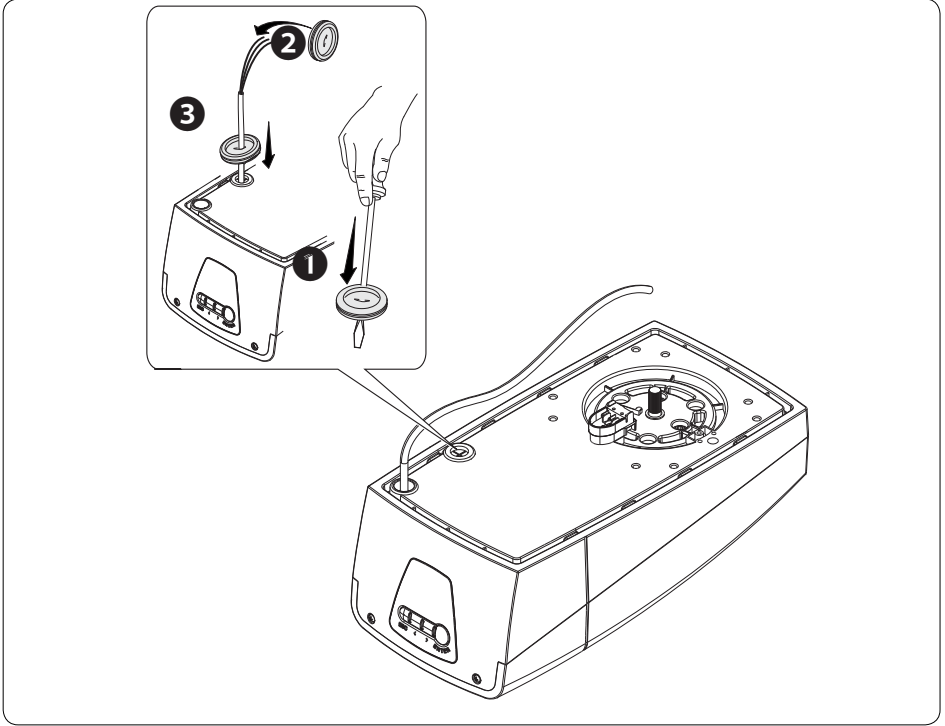


- I** Remove the operator's cover. Pull out the electrical cable and fit it through the hole. Use a screwdriver to open up the predrilled hole for the electrical cables of the micro switch and fit the cables to the micro switch. Fit the micro switch to the operator. Connect the connectors to the corresponding positions on the micro switch.  
△ Reconnect the cables as originally connected (NO - C).  
Fit the cover back onto the operator.



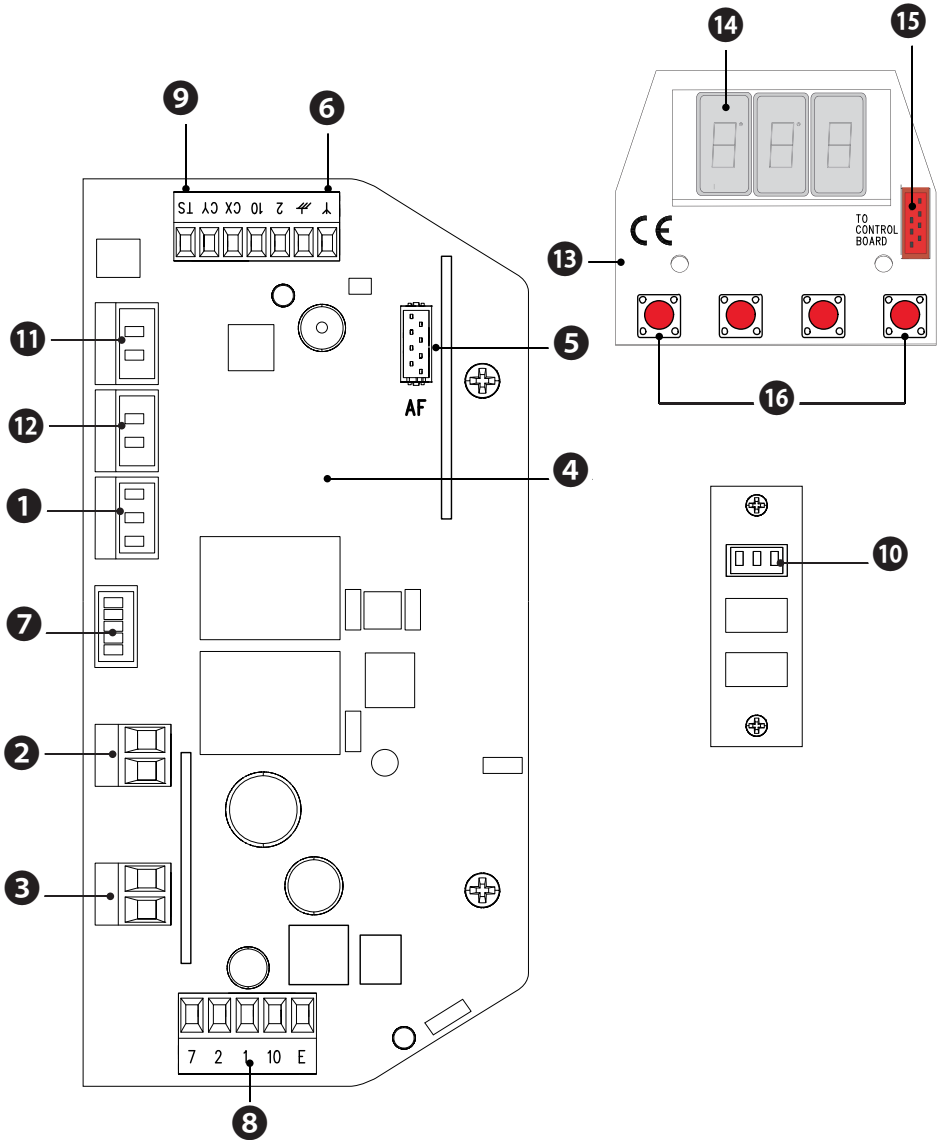


Perforate the cable gland **1** pass the cables through **2** and fit it into its corresponding housing **3**.  
📖 The number of cables depends on the type of system and accessories fitted.

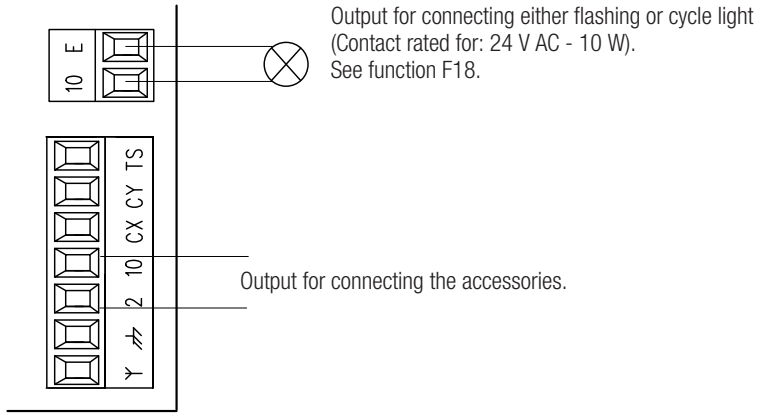


## Description of parts

- 1 Encoder connector
- 2 Gearmotor connector
- 3 Card power supply connector
- 4 Electronic board
- 5 AF card connector
- 6 Antenna terminals
- 7 Programming board connector
- 8 Terminals for control and warning devices
- 9 Safety-device terminals
- 10 Line power-supply connector
- 11 Courtesy light cover connector
- 12 Calibration microswitch terminal
- 13 Programming board
- 14 Display
- 15 Cable for connecting to the control board
- 16 Programming buttons



## Signalling devices

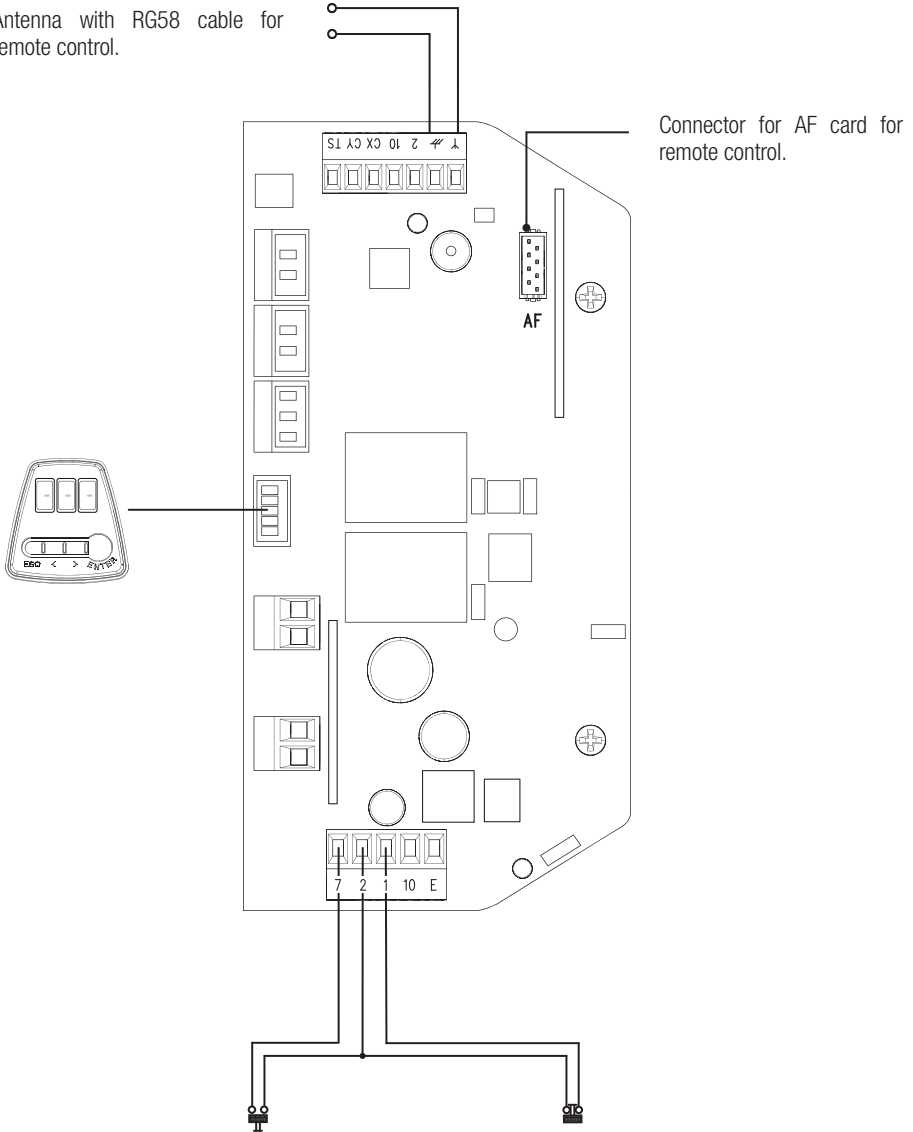


 Maximum absorption of all the devices: max. 20 W.

## Command and control devices

⚠ Before fitting the AF card, you must cut off the mains power supply.

Antenna with RG58 cable for remote control.



Connector for AF card for remote control.

OPEN-CLOSE-INVERT (step-by-step) function from control device (NO contact). Alternatively, from function programming you can activate other commands. See function F 7.

STOP button (NC contact). Enables the door to stop and excludes the automatic closing. To resume movement press the control button or use another control device. See function F 1.

## Safety devices

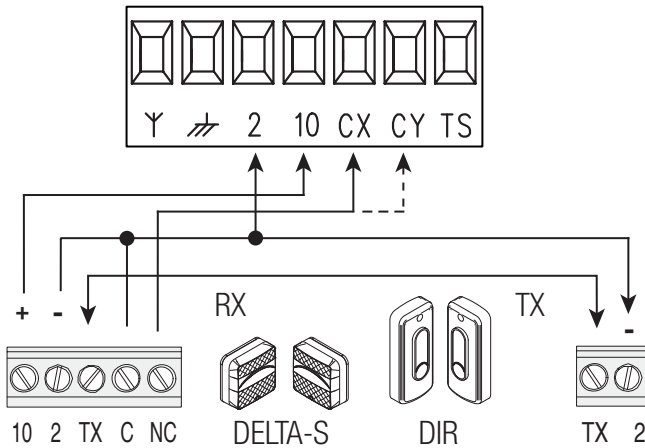
### Photocells

Configure contact CX or CY (NC), safety input for photocells.

See functions for input CX (Function F 2) or CY (Function F 3) in:

- C1 reopening during closing. When the door is closing, opening the contact causes the door to invert its movement until it is completely open;
- C3 partial stop. Stopping of the door, if it is moving, with consequent automatic closing (if the automatic closing function has been entered);
- C4 obstruction wait. Stopping of the door, if it is moving, which resumes movement once the obstruction is removed.

By default, the Cx and Cy contacts are deactivated:

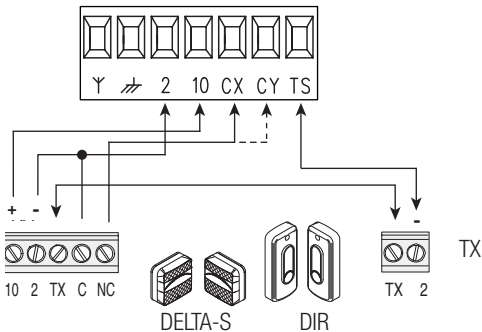


### Connecting the safety devices (i.e. the safety test)

At each opening and closing command, the control board checks the efficacy of the safety devices (such as photocells).

Any malfunction inhibits any command and is signalled as E4 on the display.

Enable function F5 in programming.




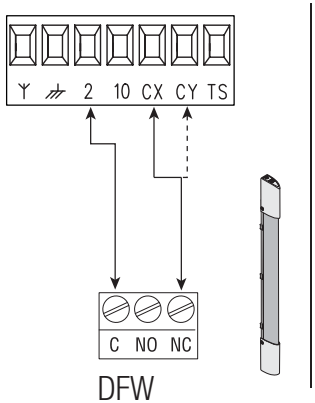
## Sensitive Safety Edges

Configure contact CX, CY (NC), safety input for sensitive safety-edges.

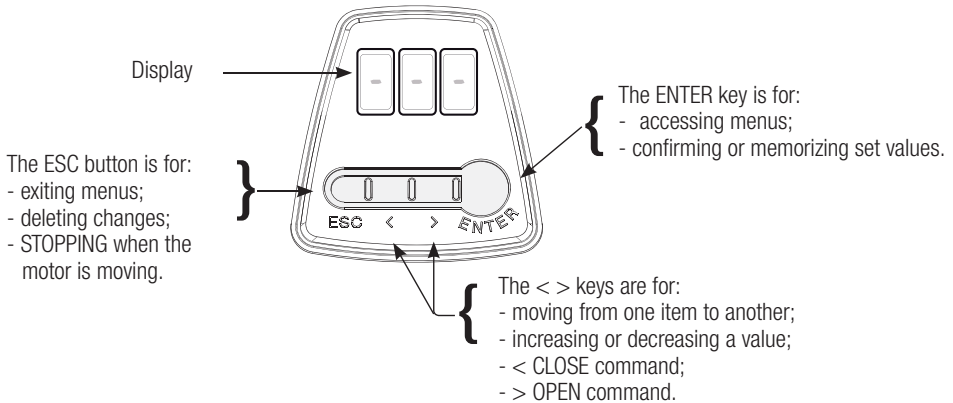
See functions for input CX (Function F 2) or CY (Function F 3) in:

- C7 reopening while closing (NC input). When the door is closing, opening the contact causes the door to invert its movement immediately until it is completely open;
- r7 opening again during closing (8K2 resistive input). When the door is closing, opening the contact causes the door to invert its movement immediately until it is completely open;

 If unused, contacts CX and CY should be deactivated during programming.



## Description of programming commands

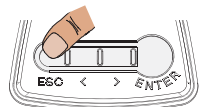



## Browsing the menu

To enter the menu, keep the ENTER key pressed for one second.




To exit the menu, wait 20 seconds or press ESC.





 When the menu is active, the system cannot be used.


## Functions menu

 **IMPORTANT!** Start programming by first performing the **TOTAL STOP (F 1)** and **TRAVEL CALIBRATION (A3)** functions

 Only program functions when the operator is stopped.

 You can save up to 250 users.

F 1	<b>Total stop [1-2]</b>	<p>NC input – Door stop that excludes any automatic closing; to resume movement, use the control device. The safety device is inserted into (1-2), if unused, select 0.</p> <p><b>OFF=Deactivated (default) / ON=Activated</b></p>
F 2	<b>Input [2-CX]</b>	<p>Input NC - Can associate: C1 = reopening during closing by photocells, C3 = partial stop, C4 = obstruction wait, C7 = reopening during closing by sensitive safety-edges, r7 = reopening during closing by resistive sensitive safety-edges 8K2.</p> <p><b>OFF = Deactivated (default) / C1 / C3 / C4 / C7 / r7</b></p> <p> The C3 setting only appears if F19 is active.</p>
F 3	<b>Input [2-CY]</b>	<p>Input NC - Can associate: C1 = reopening during closing by photocells, C3 = partial stop, C4 = obstruction wait, C7 = reopening during closing by sensitive safety-edges, r7 = reopening during closing by resistive sensitive safety-edges 8K2.</p> <p><b>OFF = Deactivated (default) / C1 / C3 / C4 / C7 / r7</b></p> <p> The C3 setting only appears if F19 is active.</p>
F 5	<b>Safety test</b>	<p>After every opening or closing command, the board will check whether the photocells are working properly.</p> <p><b>OFF=Deactivated (default) / 1=CX / 2=CY / 4=CX+CY</b></p>
F 7	<b>Control mode on 2-7</b>	<p>The control device connected to 2-7, performs the (open-close-invert) step-step, (open-stop-close-stop), sequential, open only or close only</p> <p><b>0 = Step-step (default) / 1 = Sequential / 2 = Open / 3 = Close</b></p>
F 9	<b>Obstruction detection with motor stopped</b>	<p>With the door closed, open, or after a total stop, the gearmotor stays idle if the safety devices, that is, the photocells, detect an obstruction.</p> <p><b>OFF = Deactivated (default) / ON = Activated</b></p>
F18	<b>Additional light</b>	<p>Output for connecting the additional light onto 10-E.</p> <p>Flashing light: it flashes when the door is opening and closing.</p> <p>Cycle: it stays on from the moment the door starts opening until it is fully closed, including the waiting time before the automatic closing.</p> <p>Courtesy: it stays on for an adjustable time of between 60 and 180 seconds. To set the time, see function F25.</p> <p><b>0 = Flashing light (default) / 1 = Cycle / 2 = Courtesy</b></p>
F19	<b>Automatic Closing Time</b>	<p>The automatic-closing wait starts when the opening limit switch point is reached and can be set to between 1 and 180 seconds. The automatic closing does not work if any of the safety devices trigger when an obstruction is detected, or after a total stop, or during a power outage.</p> <p><b>OFF = Deactivated (default) / 1 = 1 second / ... / 180 = 180 seconds</b></p>

F20	<b>Automatic closing time after partial opening</b>	<p>The automatic-closing wait starts when the partial opening point is reached (from partial opening command) and can be set to between 1 and 180 seconds. The automatic closing does not activate, after a total stop or if the power supply is missing.</p> <p> The F19 function must not be deactivated.</p> <p><b>OFF = Deactivated (default) / 1 = 1 second /... / 180 = 180 seconds</b></p>
F21	<b>Pre-flashing time</b>	<p>Adjusting the pre-flashing time for the flashing light connected to 10-E before each maneuver. The flashing time is adjustable from 1 to 10 seconds.</p> <p><b>OFF = Deactivated (default) / 1 = 1 second /... / 10 = 10 seconds</b></p>
F25	<b>Courtesy light time</b>	<p>The courtesy light stays lit for the necessary time while the door is opening and closing.</p> <p>Adjustable between 60 and 180 seconds.</p> <p><b>60 = 60 seconds /... / 180 = 180 seconds (default)</b></p>
F36	<b>Adjusting the partial opening</b>	<p>Adjustment as a percentage of total travel, during the door partial opening.</p> <p><b>5 = 5% of the travel /... / 40 = 40% of the travel (default) /... / 80 = 80% of the travel.</b></p>
F58	<b>Maintenance maneuvers</b>	<p>With this function it is established how many maneuvers the motor must perform to display the maintenance request.</p>
F60	<b>Sleep mode</b>	<p><b>OFF = deactivated (default) / ON = activated</b></p> <p>The power supply 10-2 is switched off.</p>
F80	<b>Sound signal</b>	<p><b>OFF = (default) deactivated / ON = activated</b></p> <p>If activated, the buzzer will emit a signal each time any programming key is pressed and, with the automatic closing time activated, it emits an acoustic signal warning that the door is closing.</p>
U1	<b>Entering users</b>	<p>Up to a maximum of 250 users can be entered and each can be associated to a function of choice among those available. This must be done via transmitter (see "ENTERING USERS WITH ASSOCIATED COMMAND paragraph).</p> <p><b>1 = open-close (step-step) / 2 = open -stop-close-stop (sequential) / 3 = open only / 4 = partial opening</b></p>
U2	<b>Deleting users</b>	<p>Deleting single users (see paragraph called DELETING SINGLE USERS).</p>
U3	<b>Deleting users</b>	<p>Deleting all users.</p> <p><b>OFF = Deactivated / ON = Delete all users.</b></p>
A3	<b>Travel calibration</b>	<p>Boom travel calibration (see TRAVEL CALIBRATION paragraph).</p>
A4	<b>Resetting parameters</b>	<p>Caution! To restore the factory settings.</p> <p><b>OFF = Deactivated / ON = Activated</b></p>
A5	<b>Maneuver count</b>	<p>For viewing the number of maneuvers made by the gearmotor ( 1 = 100 maneuvers; 010 = 1000 maneuvers; 100 = 10000 maneuvers; 999 = 99900 maneuvers; CSI = maintenance job)</p>
H1	<b>Version</b>	<p>View the firmware version.</p>



## List of registered users

1	
2	
3	
4	
5	
6	
7	
8	
9	
10	
11	
12	
13	
14	
15	
16	
17	
18	
19	
20	
21	
22	
23	
24	
25	
26	
27	
28	
29	
30	
31	
32	
33	
34	
35	
36	
37	
38	
39	
40	
41	
42	
43	
44	
45	

46	
47	
48	
49	
50	
51	
52	
53	
54	
55	
56	
57	
58	
59	
60	
61	
62	
63	
64	
65	
66	
67	
68	
69	
70	
71	
72	
73	
74	
75	
76	
77	
78	
79	
80	
81	
82	
83	
84	
85	
86	
87	
88	
89	
90	

91	
92	
93	
94	
95	
96	
97	
98	
99	
100	
101	
102	
103	
104	
105	
106	
107	
108	
109	
110	
111	
112	
113	
114	
115	
116	
117	
118	
119	
120	
121	
122	
123	
124	
125	
126	
127	
128	
129	
130	
131	
132	
133	
134	
135	

136	
137	
138	
139	
140	
141	
142	
143	
144	
145	
146	
147	
148	
149	
150	
151	
152	
153	
154	
155	
156	
157	
158	
159	
160	
161	
162	
163	
164	
165	
166	
167	
168	
169	
170	
171	
172	
173	
174	
175	
176	
177	
178	
179	
180	
181	
182	

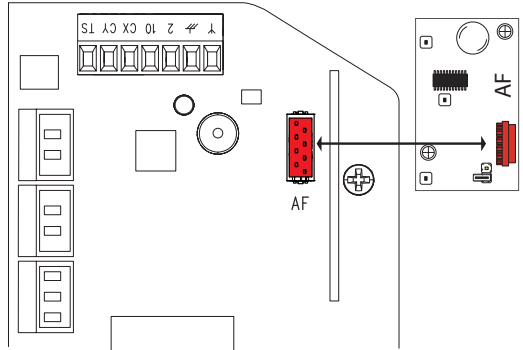
183	
184	
185	
186	
187	
188	
189	
190	
191	
192	
193	
194	
195	
196	
197	
198	
199	
200	
201	
202	
203	
204	
205	
206	
207	
208	
209	
210	
211	
212	
213	
214	
215	
216	
217	
218	
219	
220	
221	
222	
223	
224	
225	
226	
227	
228	
229	

230	
231	
232	
233	
234	
235	
236	
237	
238	
239	
240	
241	
242	
243	
244	
245	
246	
247	
248	
249	
250	

## Transmitter and Saving users

⚠ Before fitting the snap-in cards, you MUST CUT OFF THE MAINS POWER SUPPLY.

To enter, change and delete user or to control the operator via the radio command, fit the AF card.



### Entering a user with an associated command

**N.B.:** when entering and deleting users, the numbers that appear flashing are available and usable numbers for entering new users (max. 250 users).

Select U1. Press ENTER to confirm **1**.

Select a command to associate to the user.

The commands are:

1 = step-step (open-close);

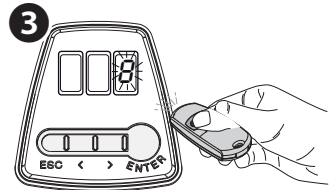
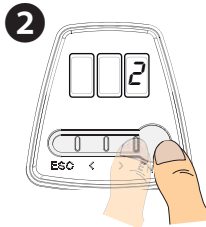
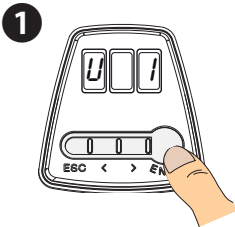
2 = - sequential (open-stop-close-stop);

3 = open;

4 = partial opening.

Press ENTER to confirm **2**.

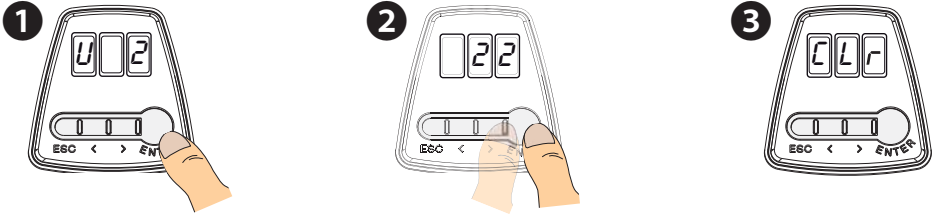
An available number between 1 and 250 will flash for a few seconds. This number will be assigned to the user after sending the code through the transmitter **3**.



## Deleting a single user

1. Select U2. Press ENTER to confirm ①.
2. Select the user number to delete. Press ENTER to confirm ②.
3. The Clr wording will appear to confirm the deletion ③.

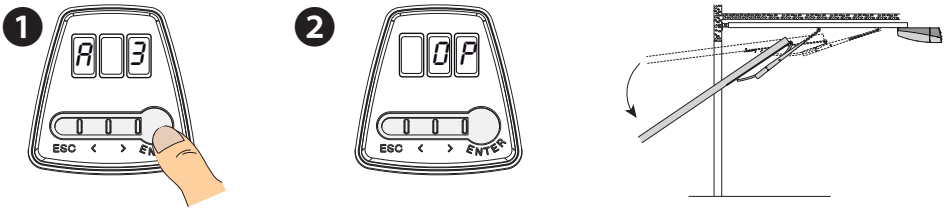
**N.B.:** It is possible to directly delete an already memorized transmitter. At point ② press the remote control button to identify the position it occupies. Press Enter to delete the position.



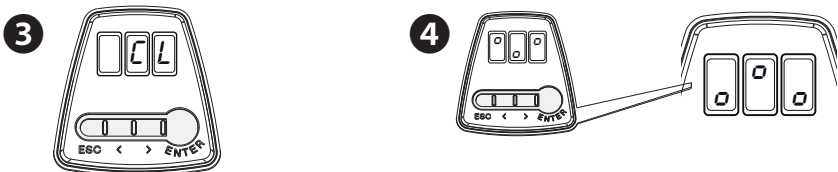
## Travel calibration

**N.B.:** before calibrating the travel, check that the maneuvering area is free of any obstructions. **Important!** During the calibration, all safety devices will be disabled except for the PARTIAL STOP one.

1. Select A3. Press ENTER to confirm ①.
2. Keep pressed the > button to open the door. Release the button when the door reaches the desired opening limit switch point. Press ENTER to confirm ②.



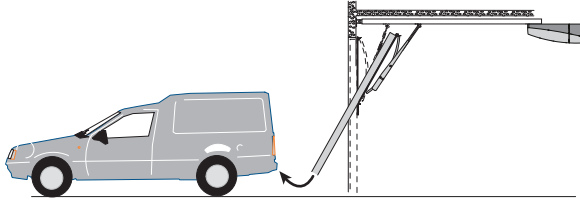
Keeping pressed the < button the door closes. Release the button when the door reaches the desired closing limit switch point. Press ENTER to confirm ③ ④.



Once the limit switch points have been memorized, the operator performs a complete travel to self-learn the sensitivity values.

## Encoder operation

Obstruction detection when **OPENING**.  
The door closes again.

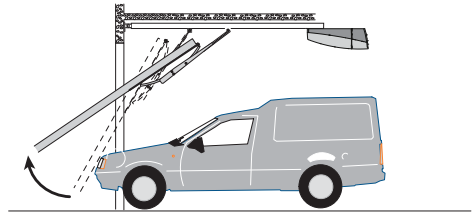
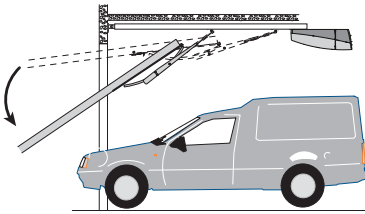


Obstruction detection when **CLOSING**.

The door inverts its travel direction and reopens.

After three consecutive inversions, when closing, the door stays open and automatic closing is excluded. After three consecutive opening or closing detections, the door stops.

To close the door again, press a control button or use the transmitter.



## ERROR MESSAGE

 The error messages appear on the display.

E 2	Calibrating the complete gate-travel
E 3	Encoder broken
E 4	Services test error
E 7	Operating time error
E 9	Closing obstruction
E10	Opening obstruction
E11	Maximum number of obstructions consecutively detected

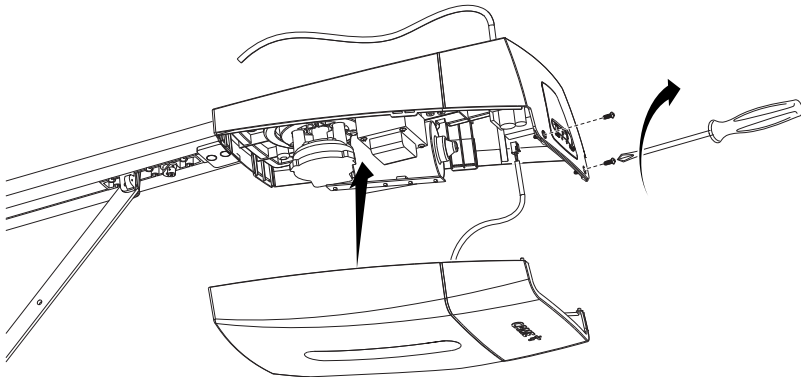
## WHAT TO DO IF ...

ISSUES	POSSIBLE CAUSES	POSSIBLE FIXES
The operator neither opens nor closes	<ul style="list-style-type: none"> <li>• Power supply is missing</li> <li>• The gearmotor is stuck</li> <li>• The transmitter emits a weak signal or no signal</li> <li>• Button/s and/or selectors stuck</li> </ul>	<ul style="list-style-type: none"> <li>• Check main power supply</li> <li>• Lock the gearmotor</li> <li>• Replace the batteries</li> <li>• Check that the devices and the electric cables are in proper working conditions</li> </ul>
The operator opens but does not close	<ul style="list-style-type: none"> <li>• The photocells are working</li> </ul>	<ul style="list-style-type: none"> <li>• Check that there are no obstructions in the photocells' area of operation</li> </ul>

⚠ *If the problem cannot be solved by following the fixes in the table or if any malfunctions, anomalies, noises, vibrations or suspicious and unexpected behaviour is experienced on the system, call for qualified assistance.*

## FINAL OPERATIONS

Do the final operation only once the connections are complete and the system is started up.



## DISMANTLING AND DISPOSAL

☞ CAME S.p.A. employs an Environmental Management System at its premises. This system is certified and compliant with the UNI EN ISO 14001 regulation standard to ensure that the environment is respected and safeguarded. Please continue safeguarding the environment. At CAME we consider it one of the fundamentals of our operating and market strategies. Simply follow these brief disposal guidelines:

### ♻️ DISPOSING OF THE PACKAGING

The packaging materials (cardboard, plastic, and so on) should be disposed of as solid household waste, and simply separated from other waste for recycling.

Always make sure you comply with local laws before dismantling and disposing of the product.

DISPOSE OF RESPONSIBLY!

### ♻️ DISPOSING OF THE PRODUCT

Our products are made of various materials. Most of these (aluminum, plastic, iron, electrical cables) are classified as solid household waste. They can be recycled by separating them before dumping at authorized city plants.

Whereas other components (control boards, batteries, transmitters, and so on) may contain hazardous pollutants.

These must therefore be disposed of by authorized, certified professional services.

Before disposing, it is always advisable to check with the specific laws that apply in your area.

DISPOSE OF RESPONSIBLY!

Fabricante / Manufacturer / Hersteller / Fabricant / Fabricante / Fabricante  
/ Wytwórca / Fabrikant

**Came S.p.a.**

Indirizzo / address / adresse / dirección / endereço / adres / adres  
Via Martiri della Libertà 15 - 31030 Dosson di Casier, Treviso - Italy

# CAME



DICHIARA CHE LE AUTOMAZIONI PER PORTE GARAGE / DECLARES THAT THE OPERATORS FOR GARAGE DOORS /  
ERKLÄRT DASS DIE SCHIEBETÜR - ANTRIEBE / DECLARE QUE LES AUTOMATISMES POUR PORTES DE GARAGE /  
DECLARA QUE LAS AUTOMATIZACIONES PARA PUERTAS DE GARAJE / DECLARA QUE AS AUTOMATIZACOES PARA  
PORTAS DE GARAGEM / OSWADZCZA ZE AUTOMATYKA DO BRAM GARAZOWYCH / VERKLAART DAT DE AUTOMATISER-  
INGEN VOOR GARAGEPOORTEN

VER06DES  
VER08DES

SONO CONFORMI ALLE DISPOSIZIONI DELLE SEGUENTI DIRETTIVE / THEY COMPLY WITH THE PROVISIONS OF THE FOLLOW-  
ING DIRECTIVES / DEN VORGABEN DER FOLGENDEN RICHTLINIEN ENTSPRECHEN / SONT CONFORMES AUX DISPOSITIONS  
DES DIRECTIVES SUIVANTES / CUMPLEN CON LAS DISPOSICIONES DE LAS SIGUIENTES DIRECTIVAS / ESTÃO DE ACORDO  
COM AS DISPOSIÇÕES DAS SEQUENTES DIRECTIVAS / SA ZGODNE Z POSTANOWIENIAMI NASTĘPUJĄCYCH DYREKTYW  
EUROPEJSKICH / VOLDOEN AAN DE VOORSCHRIFTEN VAN DE VOLGENDE RICHTLINIEN:

- COMPATIBILITÀ / COMPATIBILIDADE ELETROMAGNETICA / ELECTROMAGNETIC COMPATIBILITY / ELEKTROMAGNETISCHE  
VERTRÄGLICHKEIT / COMPATIBILITE ÉLECTROMAGNETIQUE / COMPATIBILIDADE ELECTROMAGNETICA / COMPATIBIL-  
IDADE ELETROMAGNETICA / KOMPATYBYLNOŚCI ELEKTROMAGNETYCZNEJ / ELEKTROMAGNETISCHE COMPATIE-  
LITEIT : 2014/30/EU.

Riferimento norme armonizzate ed altre norme tecniche / Refer to  
European regulations and other technical regulations / Harmonisierte  
Bauvorschriften und andere technische Vorgaben / Références aux normes  
harmonisées et aux autres normes techniques / Referência normas  
armonizadas e outras normas técnicas / Odnoose normy ujednoliczone i inne normy  
techniczne / Geharmoniseerde en andere technische normen waaraan is  
verwezen

EN 61000-6-1:2008  
EN 61000-6-3:2007+A1:2011  
EN 61547:2009EN 62233:2008  
ETSI EN 301 489-1 v.2.2.0  
ETSI EN 301 489-3 v.2.1.1  
EN 60335-1:2012+A11:2014  
EN 60335-2-95:2015+A1:2015

RISPETTANO I REQUISITI ESSENZIALI APPLICATI / MEET THE APPLICABLE ESSENTIAL REQUIREMENTS / DEN WESENTLIJCHEN  
ANGEWANDTEN ANFORDERUNGEN ENTSPRECHEN / RESPECTENT LES CONDITIONS REQUISES NECESSAIRES APPLIQUÉES /  
CUMPLEN CON LOS REQUISITOS ESSENCIALES APLICADOS / RESPETAM O REQUISITOS ESSENCIAIS APLICADOS /  
SPELNIAJA PODSTAWOWE WYMAGANIA WYRUNKI / VOLDOEN AAN DE TOEPASBARE MINIMUM EISEN:

1.1.3; 1.1.5; 1.2.1; 1.2.2; 1.3.2; 1.3.7; 1.3.8.1; 1.4.1; 1.4.2; 1.5.1; 1.5.6; 1.5.8; 1.5.9; 1.5.9; 1.5.13; 1.6.1; 1.6.3; 1.6.4;  
1.7.1; 1.7.2; 1.7.4

PERSONA AUTORIZZATA A COSTITUIRE LA DOCUMENTAZIONE TECNICA PERTINENTE / PERSON AUTHORIZED TO COMPILE THE RELEVANT TECHNICAL DOCUMENTATION /  
PERSON DIE BEVOLMÄCHTIGT IST, DIE RELEVANTEN TECHNISCHEN UNTERLAGEN ZUSAMMENZUSTELLEN / DOCUMENTATION TECHNIQUE SPECIFIQUE D'AUTORISATION A  
CONSTRUIRE DE / PERSONA FACULTADA PARA ELABORAR LA DOCUMENTACIÓN TÉCNICA PERTINENTE / PERSONA AUTORIZADA A CONSTITUIR A DOCUMENTAÇÃO TÉCNICA  
PERTINENTE / OSOBA UPOWAZNIORNA DO ZREDAGOWANIA DOKUMENTACJI TECHNICZNEJ / DEGENE DIE BEVOEGD IS DE RELEVANTE TECHNISCHE DOCUMENTEN  
SAMEN TE STELLEN

#### CAME S.p.a.

La documentazione tecnica pertinente è stata compilata in conformità all'allegato VIB. / The pertinent technical documentation has been drawn up in compliance with attached  
document VIB. / Die relevante technische Dokumentation wurde entsprechend der Anlage VIB ausgestellt. / La documentation technique spécifique a été remplie conformément à  
l'annexe IB / La documentación técnica pertinente ha sido redactada en cumplimiento con el anexo VIB. / A documentação técnica pertinente foi preenchida de acordo com o anexo  
VIB. / Osnova dokumentacija tehnična zostala zredagovana zgodnie z załącznikiem VIB. / De technische documentatie terzake is opgesteld in overeenstemming met de bijlage VIB.

CAME S.p.a. si impegna a trasmettere, in risposta a una richiesta adempimento motivata dalle autorità nazionali, informazioni pertinenti sulle quasi macchine, e / Came S.p.a., following  
a duly motivated request from the national authorities, undertakes to provide information related to the quasi machines, and / Die Firma Came S.p.a. verpflichtet sich auf eine angemessen  
motivierten Anfrage der staatlichen Behörden Informationen über die unvollständigen Maschinen, zu übermitteln, und / Came S.p.a. s'engage à transmettre, en réponse à une demande  
bien fondée de la part des autorités nationales, les renseignements relatifs aux quasi machines / Came S.p.a. se compromete a transmitir, como respuesta a una solicitud debidamente  
fundada por parte de las autoridades nacionales, informaciones relacionadas con las cuasimáquinas / Came S.p.a. compromete-se em transmitir, em resposta a uma solicitação motivada  
apropriadamente pelas autoridades nacionais, informações pertinentes às partes que compoem máquinas / Came S.p.a. zobowiązuje się do udzielenia informacji dotyczących maszyn  
nieukończonych na odpowiednio uzasadnioną prośbę, złożoną przez kompetentne organy państwowe / Came S.p.a. verbindt zich ertoe om op mat redaren ontleed verzoek van de  
nationale autoriteiten de relevante informatie voor de niet voltooid machine te verstrekken.

#### VIETA / FORBIDS / VERBODIET / INTERDIT / PROHIBE / PROHIBE / ZABRANIA SIĘ / VERBODIET

la messa in servizio finale la macchina finale in cui deve essere incorporata non è stata dichiarata conforme, sia del caso alla 2006/42/CE. / commissioning of the above mentioned until such  
moment when the final machine into which must be incorporated, has been declared compliant, is pertinent, to 2006/42/CE / die Inbetriebnahme bevor die „Endmaschine“ in die die  
unvollständige Maschine eingebaut wird, ist konform erklärt wurde, gegebenenfalls gemäß der Richtlinie 2006/42/EG. / la mise en service tant que la machine finale dans laquelle elle doit  
être incorporée n'a pas été déclarée conforme, le cas échéant, à la norme 2006/42/CE. / la puesta en servicio hasta que la máquina final en la que será incorporada no haya sido declarada  
de conformidad de acuerdo a la 2006/42/CE / a colocação em funcionamento, até que a máquina final, onde deverá ser incorporada, não for declarada em conformidade, de se acordo  
com a 2006/42/CE. / Uchopenienie urzadzania do czasu, kiedy maszyna, do której ma być wbudowany, nie zostanie oznaczona jako zgodna z wymogami dyrektywy 2006/42/WE. Jest taka  
procedura była konieczna, jeśli w trakcie tej stadij zbudowania waznin de niet voltooid machine moet worden ingebouwd in overeenstemming is verkleerd, indien toepasselijk  
met de richtlijn 2006/42/EG.

Dosson di Casier (TV)  
05 Febbraio / February / Februar /  
Février / Febrero / Fevereiro /  
Luty / Februari 2019

Legale Rappresentante / Legal Representative /  
Gesetzlicher Vertreter / Représentant légal /  
Representante legal / Représentante legal /  
Przedstawiciel prawny / Wettelijke vertegenwoordiger

Andrea Meluzzo



Fascicolo tecnico a supporto / Supporting technical dossier / Unterstützung technische Dossier / soutien dossier technique / apoyo expediente  
técnico / apoiar dossier técnico / wspieranie dokumentacji technicznej / ondersteunende technische dossier: 001VER06DES

#### Came S.p.a.

Via Martiri della Libertà, 15 - 31030 Dosson di Casier - Treviso - Italy - Tel. (+39) 0422 4840 - Fax (+39) 0422 4841  
Info@came.it - www.came.com

Cap. Soc. 1.610.000,00 € - C.F. e P.I. 03481280265 - VAT IT 03481280265 - REA TV 275359 - Reg Imp. TV 03481280265

*The contents of this manual may change, at any time, and without notice.*



**CAME.COM**

**CAME S.P.A.**

Via Martiri Della Libertà, 15  
31030 Dosson di Casier - Treviso - Italy  
tel. (+39) 0422 4940 - fax. (+39) 0422 4941